
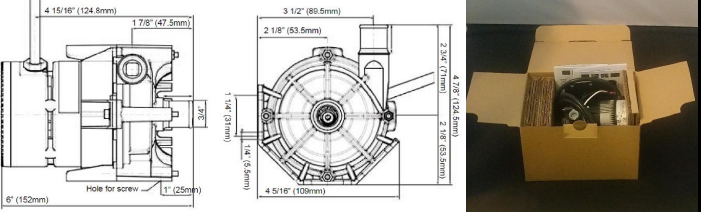
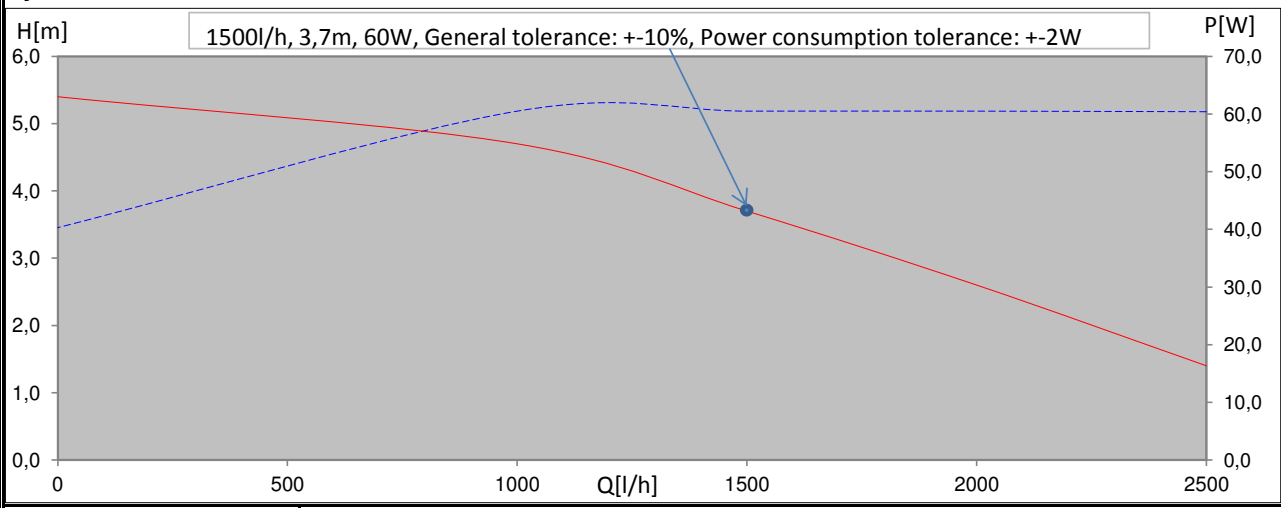
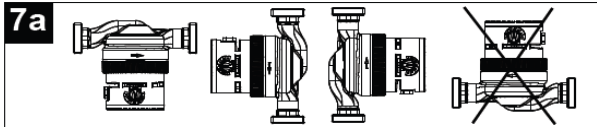


Pump Specification Sheet (PSS)

		Page: 1 of 1								
Pump type:	E10-NSHNDNN2W-01 SP	Date: 2019.								
Article number of pump:	605000116									
Sample serials:	NA									
Control type:	Fix speed									
PWM type:	NA									
Speed range:	3100 rpm									
Input voltage range:	230V 50/60Hz									
Protection:	IP55									
Maximum system pressure [bar]	2 bar									
Operating temperature range (water)	10°C - 60°C									
Operating temperature range (room)	10°C - 50°C									
Storage temperature range	-20°C - 50°C									
Max hydraulic performance (Q×H=max)	15,4W (1500l/h ; 3,7m)	<div style="border: 1px solid black; padding: 5px;"> <p style="text-align: center; margin: 0;">605000116</p> <p style="text-align: center; margin: 0;">E10-NSHNDNN2W-01 SP</p> <p style="font-size: small; margin: 0;"> WARNING: To reduce risk of electric shock, see instruction manual for proper installation. Non-servicable Pump. To reduce risk of electric shock, connected only to a properly grounded type receptacle. Acceptable for indoor use only. For use with maximum 60°C (140°F). For supply connection, use wires acceptable for at least 95°C (203°F). Use copper conductors only. THERMALLY PROTECTED. </p> </div> <div style="display: flex; justify-content: space-between; align-items: center; margin-top: 5px;"> <div style="font-size: x-small;"> PD: 08/13 Max fluid temp: 140°F (60°C) ClassF Max pressure: 29 PSI (2 bar) </div> <table border="1" style="border-collapse: collapse; text-align: center; font-size: x-small;"> <thead> <tr> <th>Volts</th> <th>Watts</th> <th>Hertz</th> <th>IP</th> </tr> </thead> <tbody> <tr> <td>230</td> <td>60</td> <td>50/60</td> <td>55</td> </tr> </tbody> </table> </div>	Volts	Watts	Hertz	IP	230	60	50/60	55
Volts	Watts		Hertz	IP						
230	60		50/60	55						
Max head of pump H{Q=0l/h}	5,4m									
Max input power: [W]	60W									
Possible media:	pure water									
Hydraulic curve: 230V, 50Hz										



Allowed mounting positions:	All, except top side down	
Connection type:	3/4" hose, P12	
Weight: [g]	1360g	
Dimensions: [mm]	105mm×130mm×150mm (W×L×H)	